



HATSAN
ARMS COMPANY

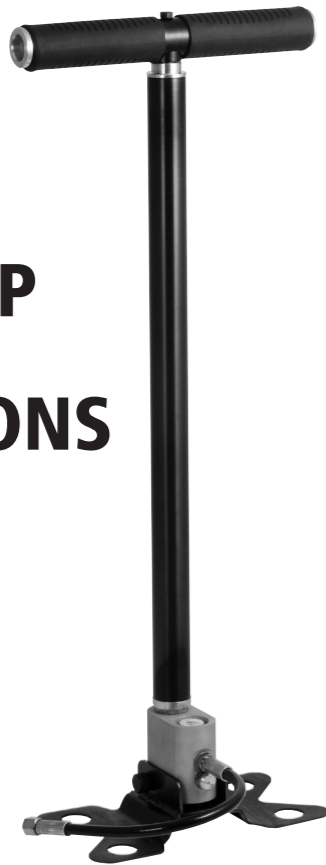
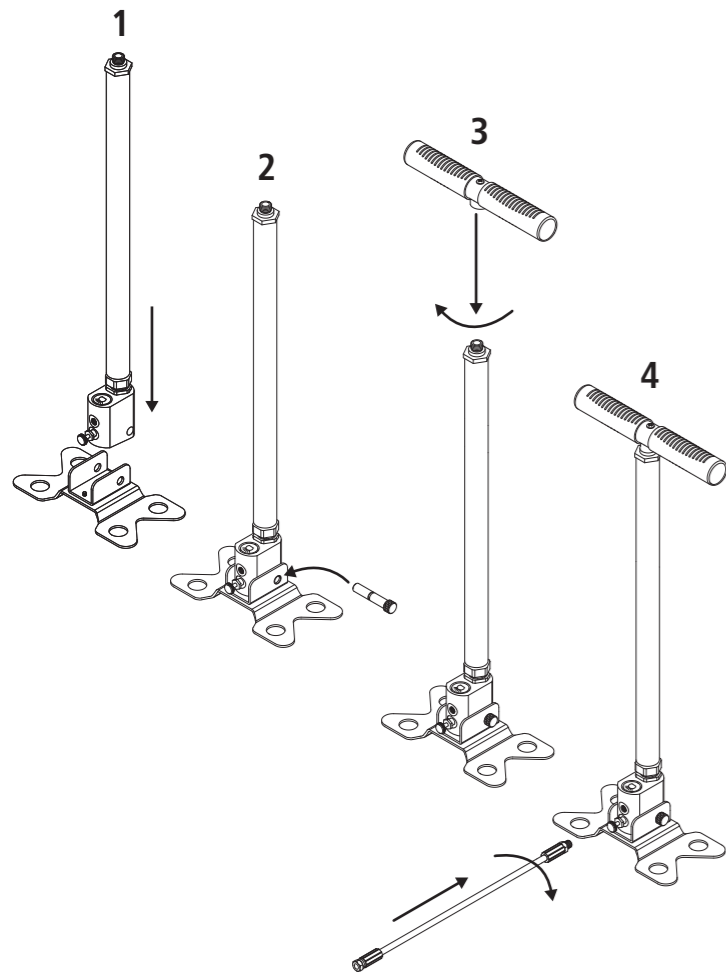
HATSAN HAND PUMP

INSTRUCTIONS MANUAL

Izmir - Ankara Karayolu 28. km. No. 289
35170, Kemalpaşa Izmir - TURKEY
Tel: +90 (232) 878 91 00
Fax: +90 (232) 878 91 02

www.hatsan.com.tr
info@hatsan.com.tr

ASSEMBLY STEPS



Please read this instruction manual carefully before using your hand pump!

Thank you for choosing Hatsan Hand Pump. Hand pumps are the most convenient and affordable way to charge your PCP air rifle. Hatsan hand pumps have several features which provide easier use and longer life time of the pump.

- Maximum 230 bar fill pressure.
- Ergonomically designed handle with synthetic cover.
- Built-in moisture trap & built-in particle filter embedded in one side of the handle which traps the moisture and protects your pump & air rifle.
- Additional compartment in the other side of the handle where you can put spare parts or small belongings.
- Built-in precise pressure gauge embedded in the frame which protects it from external impacts.
- Easily demountable design. Locking system which provides easier carrying of the pump.
- Specialist design wide foot plate with adjustable pumping angle.
- Comes with hose and connector.

ASSEMBLY

Assemble your hand pump as shown in "Assembly Steps" picture. Don't use tools to tighten the handle. Finger tightness is sufficient.

USE OF THE PUMP

1. Attach the fill nozzle provided with your PCP air rifle to hose of the hand pump. Make sure the air bleeding valve is tightened.
2. Grab the handle with your hands and place your feet on the foot plate of the pump.
3. Start pumping slowly by lifting up and then pressing down the handle. Continue pumping until you reach your desired pressure level in the air cylinder of your PCP air rifle.
4. When you are done with the pumping, unloose the air bleeding valve of the pump so that the air trapped in the hose is discharged. Then disconnect the hose from the air cylinder of the PCP air rifle.

WARNINGS AND MAINTENANCE

1. Use this pump for filling your PCP air rifle only. Do not use it for other purposes. If possible use your pump in low moisture environments. This is very beneficial for the performance of your pump and PCP air rifle.
2. Do not pump more than 5 minutes and leave the pump for 15 minutes for cooling after each pumping period. Unloosen the air bleeding valve of the pump so that the excessive heat in the bottom part of the pump is removed. This will also enable the removal of the moisture. Most of the PCP air rifles can be filled within 5 minutes, so that all you need is a single pumping session. We recommend you to cool the pump after each 50 strokes of pumping or when the pump rod is very heated. Otherwise the life time of the seals and o-rings in the pump may decrease.
3. Pump slowly and deliberately. Stop at the top and bottom of each stroke (1-2 seconds) to let the air flow through the tiny holes inside the pump. The pump works in both directions, though it feels hardest on the down stroke, so make the upstroke count, too. Do not fail to go all the way to the end of each stroke, as most of the work is accomplished in the last 2-3cm of pump rod travel.
4. Use your body weight when it becomes very hard to pump. It will be very hard to pump after 100 bars pressure. Make sure to use your body weight beyond this pressure level.
5. The pump may become harder to operate after prolonged use. This can be caused by lack of lubrication or previous lubrication causing adhesiveness on the seals & rod. Hence it is recommended that the pump is occasionally cleaned and lubricated. Lubrication should be applied on a small scale onto the pump rod (Part # 48) and then pumped a few strokes. **Only silicon grease should be used as a**

lubricant. Any other type petroleum, lubricant or grease should never be used.

6. Make sure to unloose the air bleeding valve before you disconnect your PCP air rifle. Otherwise the seals and O-rings in fill nozzle of your PCP air rifle may get damaged. This process also enables removing of moisture.
7. The recommended maximum pressure of this pump is 230 bars. However the safe maximum fill pressure of the air cylinder of the PCP air rifle may be different. **Do not exceed the manufacturer's recommended maximum filling pressure of the air cylinder of the PCP air rifle.** For example; maximum fill pressure of the air cylinders of Hatsan AT44 pcp air rifles is 200 bars and this level should never be exceeded. It may cause dangerous conditions resulting in serious injury to you or bystanders if the air cylinders are filled above the recommended maximum pressure levels. Also never fill any air cylinder which is not in good condition or damaged.
8. Always use the pump on firm, non slip surfaces. Also take appropriate

position and posture for pumping.

9. Do not kink or flatten the hose when using the pump. Never use any pump with the manometer is removed.
10. Do not use this pump if you have any physical illness which interferes with the pumping action.
11. The silica gel particles contained in the moisture filter should be replaced depending on the climatic conditions the pump is located in. Replacing the silica gel particles every 2-3 months is compulsory in high humid and warm climates. This can be done every 4-5 months in low humid climates. The entire moisture filter should be replaced after prolonged use
12. Never attempt to modify or make any changes in the pump. Use it in its original structure out of the factory. **Always obey the instruction manuals.** Any repair done other than the manufacturer or authorized parties is not correct and appropriate.

